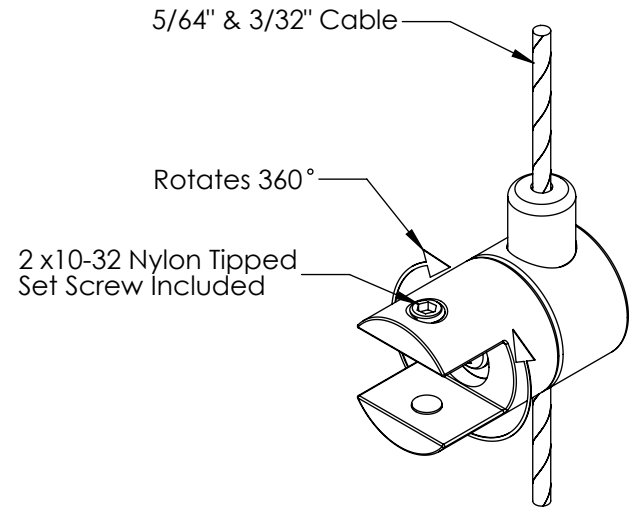
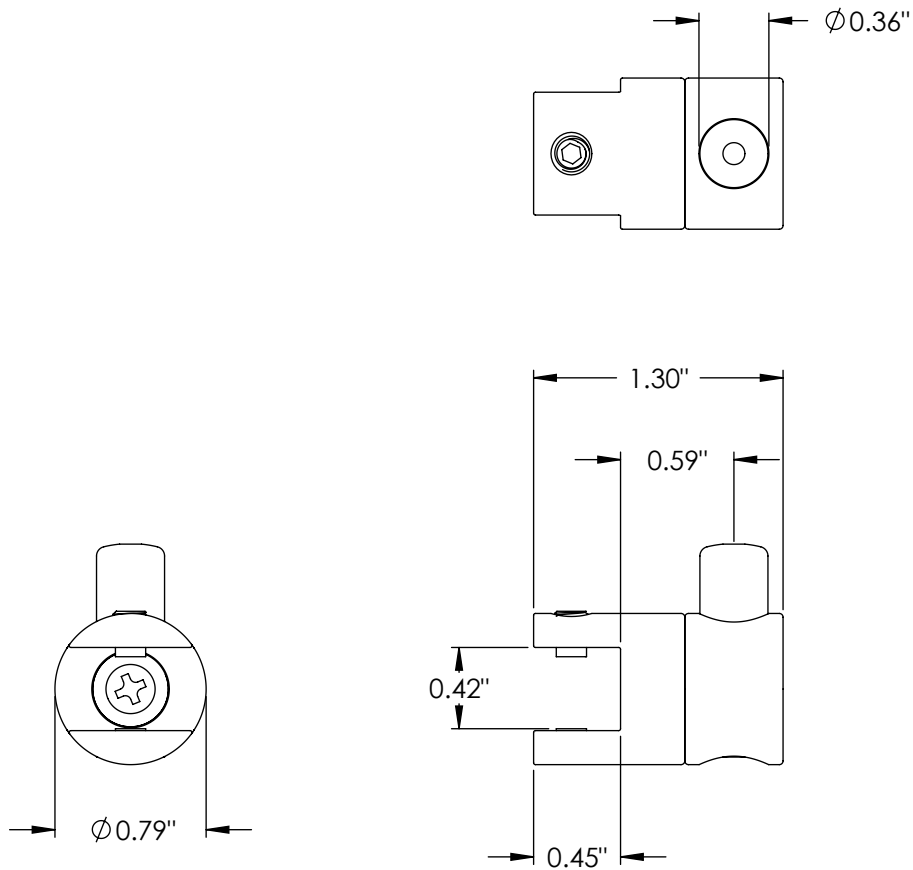
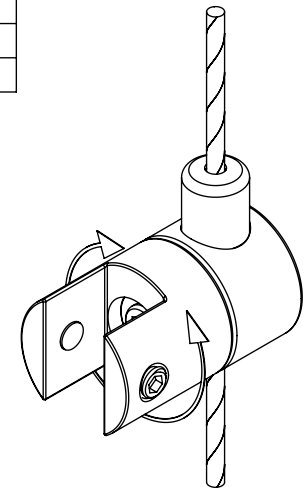


REVISION BLOCK		
REV	DESCRIPTION	DATE



10-32 SET SCREW LENGTH	QTY.
0.23"	1
0.42"	1



PROPRIETARY AND CONFIDENTIAL
 This drawing and these specifications are the exclusive property of GRIPLOCK SYSTEMS INC. and shall not be divulged, reproduced, copied, or used as the basis for the manufacture or sale of apparatus without the express written authorization of GRIPLOCK SYSTEMS INC.

REF: _____ DATE: 03/30/06
 MATERIAL: Satin Chromium Plated Brass
 SCALE: 1:1 FILE: DG-25-SCU-SAT c



GRIPLOCK SYSTEMS
 410 Palm Ave. Loft A18, Carpinteria, CA93013
 Phone (805) 566-0064 Fax (805) 566-0065

PART NUMBER: **DG-25-SCU-SAT**
 DESCRIPTION: **Single Sided Universal Glider Clamp**